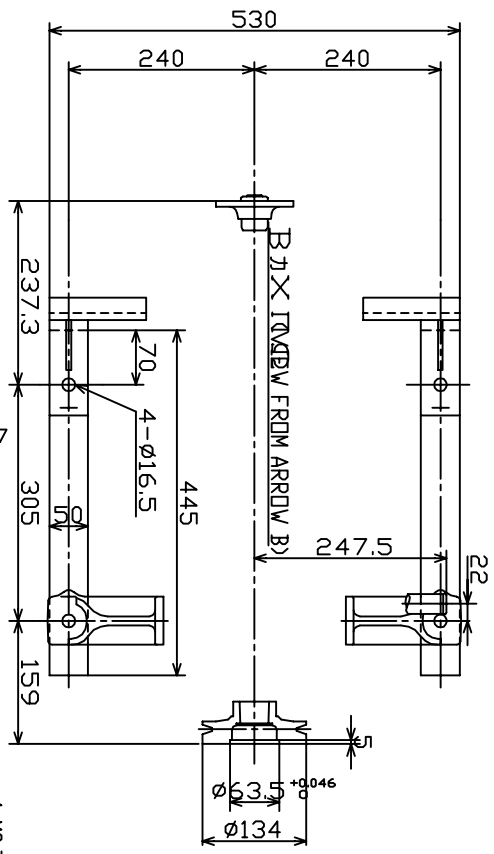
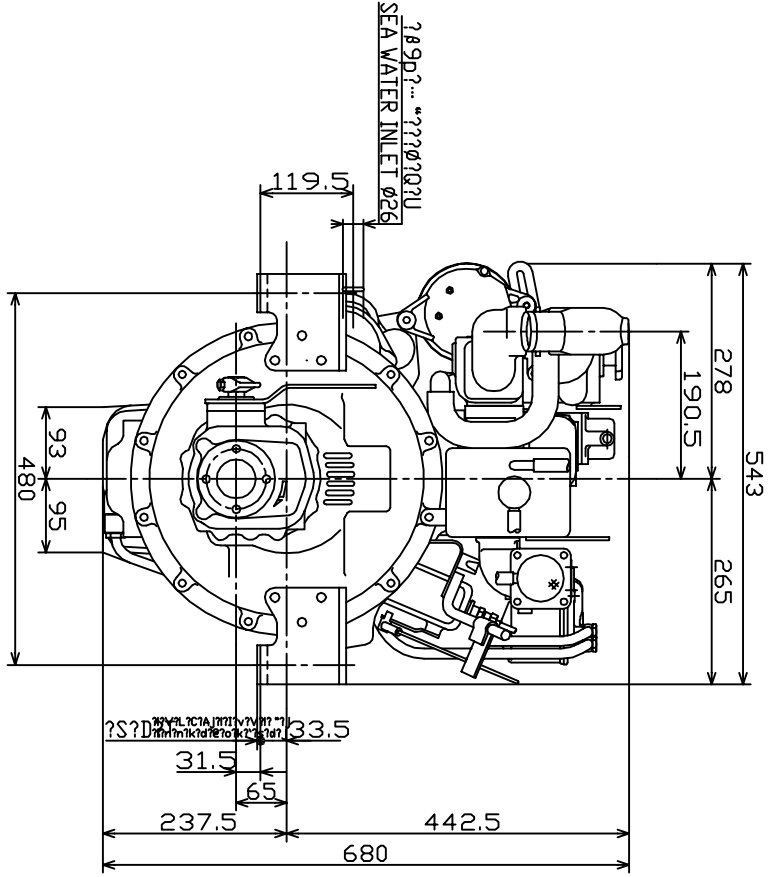
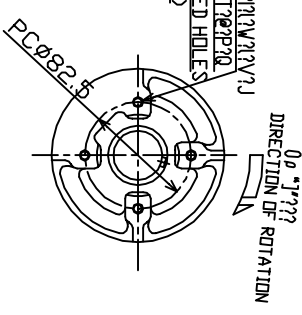
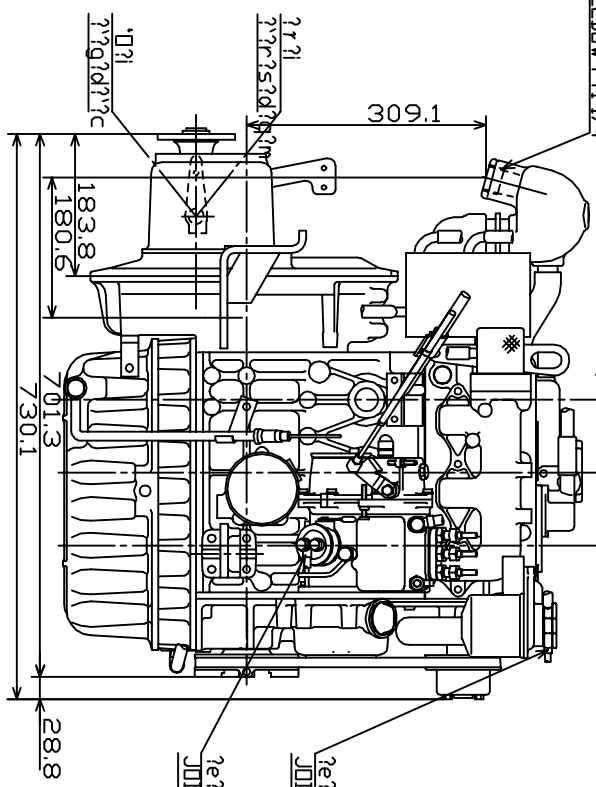


PROPELLER SHAFT COUPLING (SCALE 1/3)
 OUTPUT SHAFT COUPLING (SCALE 1/3)



MIXING EL.BOW PT 1 1/4



DETAIL OF PULLY (SCALE 1/3)
 ▲ X-TYPE VIEW FROM ARROW A)
 JOINT Ø8 FOR FD RETURN
 JOINT Ø8 FOR FD INLET