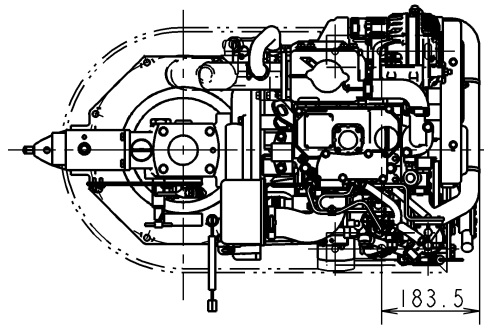
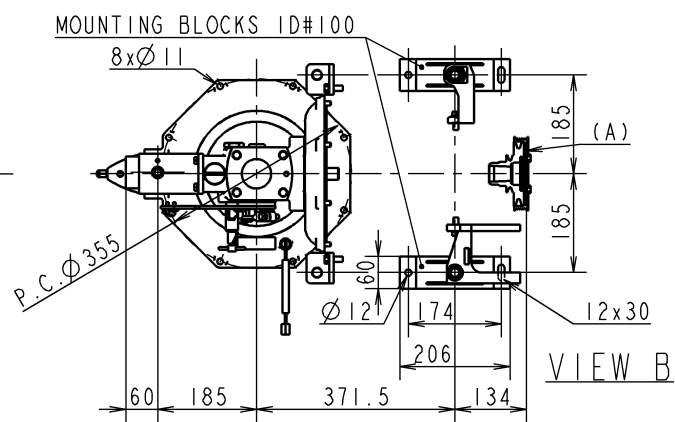


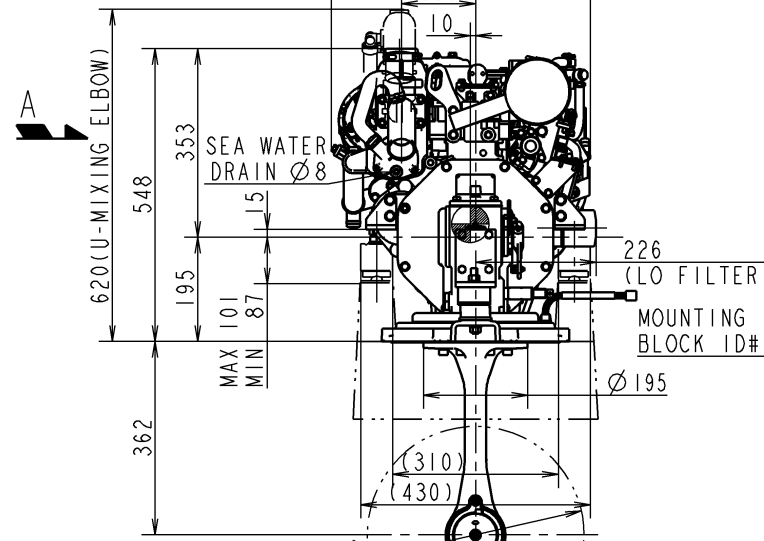
VIEW A  
485  
270 215  
138.5 10



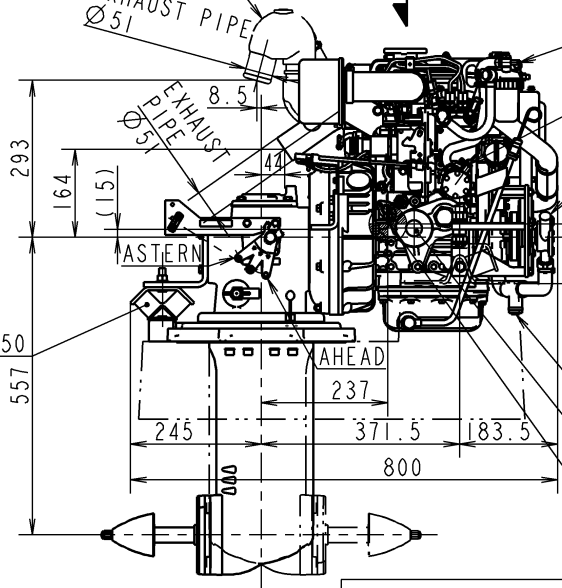
U-MIXING ELBOW (OPTIONAL)  
EXHAUST PIPE Ø51



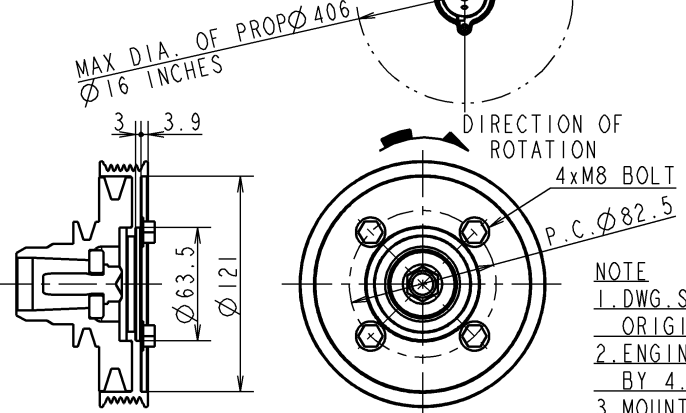
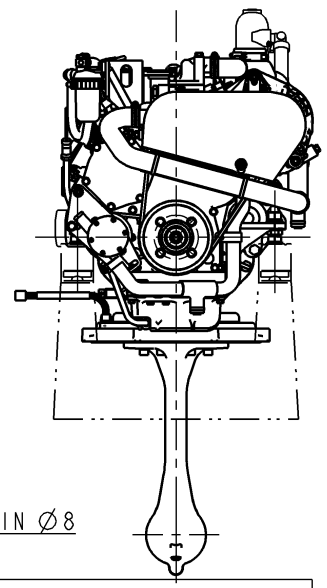
MOUNTING BLOCKS ID#100  
8xØ11  
P.C.Ø355  
Ø12  
174  
206  
12x30  
185  
185  
60 371.5 134  
VIEW B



620 (U-MIXING ELBOW)  
548  
353  
195  
101  
87  
MAX MIN  
362  
SEA WATER DRAIN Ø8  
226 (LO FILTER)  
MOUNTING BLOCK ID#150  
Ø195  
(310)  
(430)



EXHAUST PIPE Ø51  
8.5  
42  
ASTERN  
AHEAD  
237  
245 371.5 183.5  
800  
293  
164  
115  
87  
25  
FUEL OVERFLOW Ø8.0  
FUEL INLET Ø8.3  
WATER INLET Ø19.5  
SEA WATER DRAIN PLUG  
LO FILTER  
FRESH WATER DRAIN Ø8



MAX DIA. OF PROP Ø406  
Ø16 INCHES  
3 3.9  
DIRECTION OF ROTATION  
4xM8 BOLT  
P.C.Ø82.5  
NOTE  
1. DWG SHOWS MOUNTING BLOCKS AT ORIGINAL HEIGHT.  
2. ENGINE WEIGHT WILL COMPRESS BLOCKS BY 4.5mm (APPROX.)  
3. MOUNTING BLOCKS ARE EQUIPPED FOR STANDARD ACCESSORY.  
4. Ⓞ SHOWS CENTER OF GRAVITY.

DETAIL OF PULLEY (A)  
(SCALE 1:3)

SPECIFICATIONS										
MODEL	2YM15									
Continuous Power	(ISO8665) kW/min <sup>-1</sup>				9.1/3489					
Fuel Stop Power	Crankshaft (ISO8665) kW/min <sup>-1</sup>				10.0/3600					
Reduction Ratio					2.64					
Engine Mass with sail drive SD25	kg				Approx.134					
Direction Of Propeller Shaft Rotation					Clockwise					
SEE MANAGER SPECIALIST	CAREER CODE 2. CHANGE ALTERNATOR AND CRANK PULLEY (YDSBD-12009)				MODEL	2	YM	15	SCALE	1:10
CHECKED 北本	REV.1(2015.1.26) CHANGE SEAWATER PUMP BRACKET, CHANGE VIEW LAYOUT, SD20-SD25. (YDSBD-14022)(SHIGA)				QTY	1	MATERIAL			-
DESIGNED K. Shiga	DRAWN REV.2 (2018.11.27) ADD SD25R, CHANGE HOSE BRACKET (YDSBD-18019)(SHIGA)				NAME 2YM15XSD25 OUTLINE					
DATE: Y.M.D 2012.11.9		YANMAR YANMAR CO., LTD. DEVELOPMENT DIV.			CODE	REV.1 (REV.2) B2-28790-0022			DRAW SIZE	A3