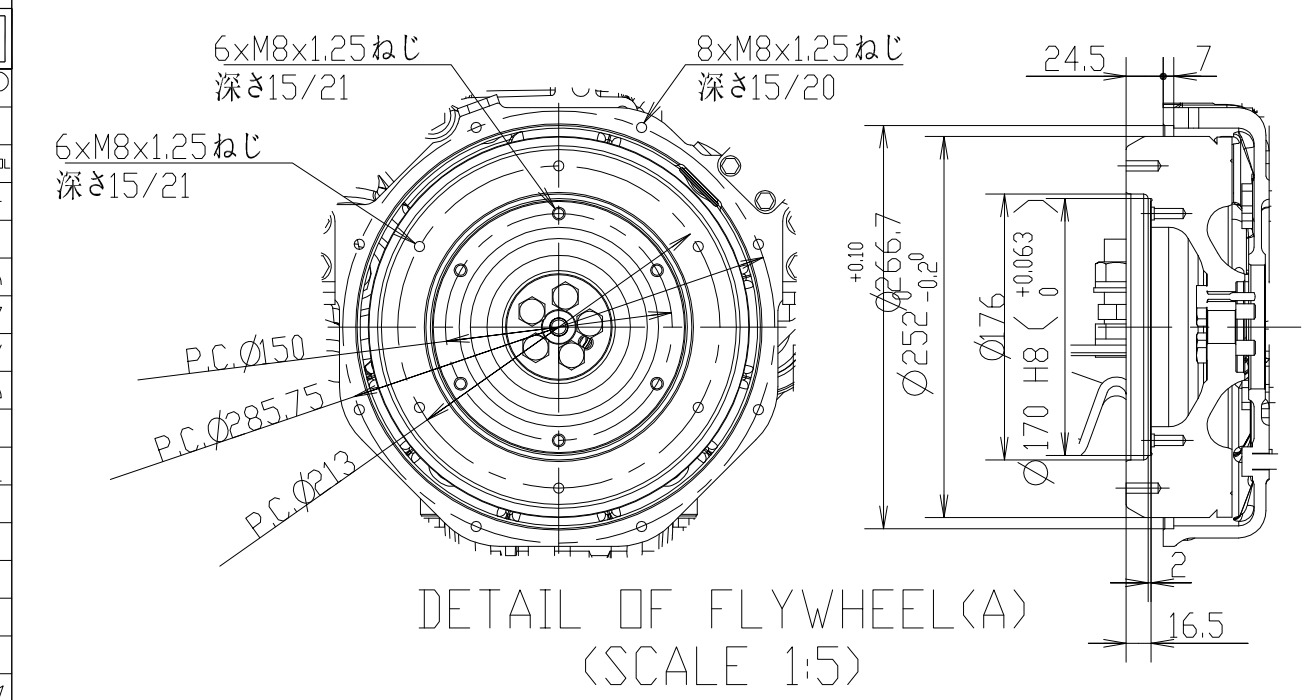
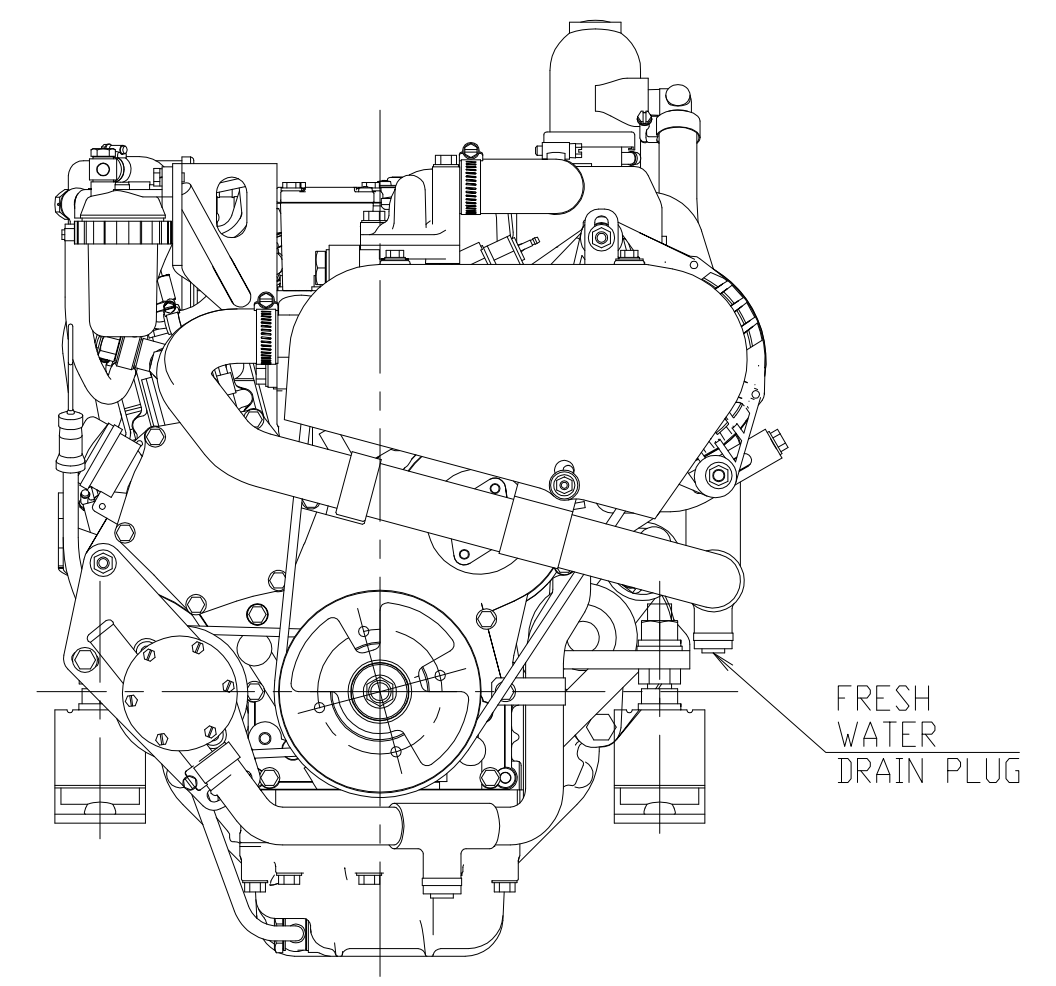
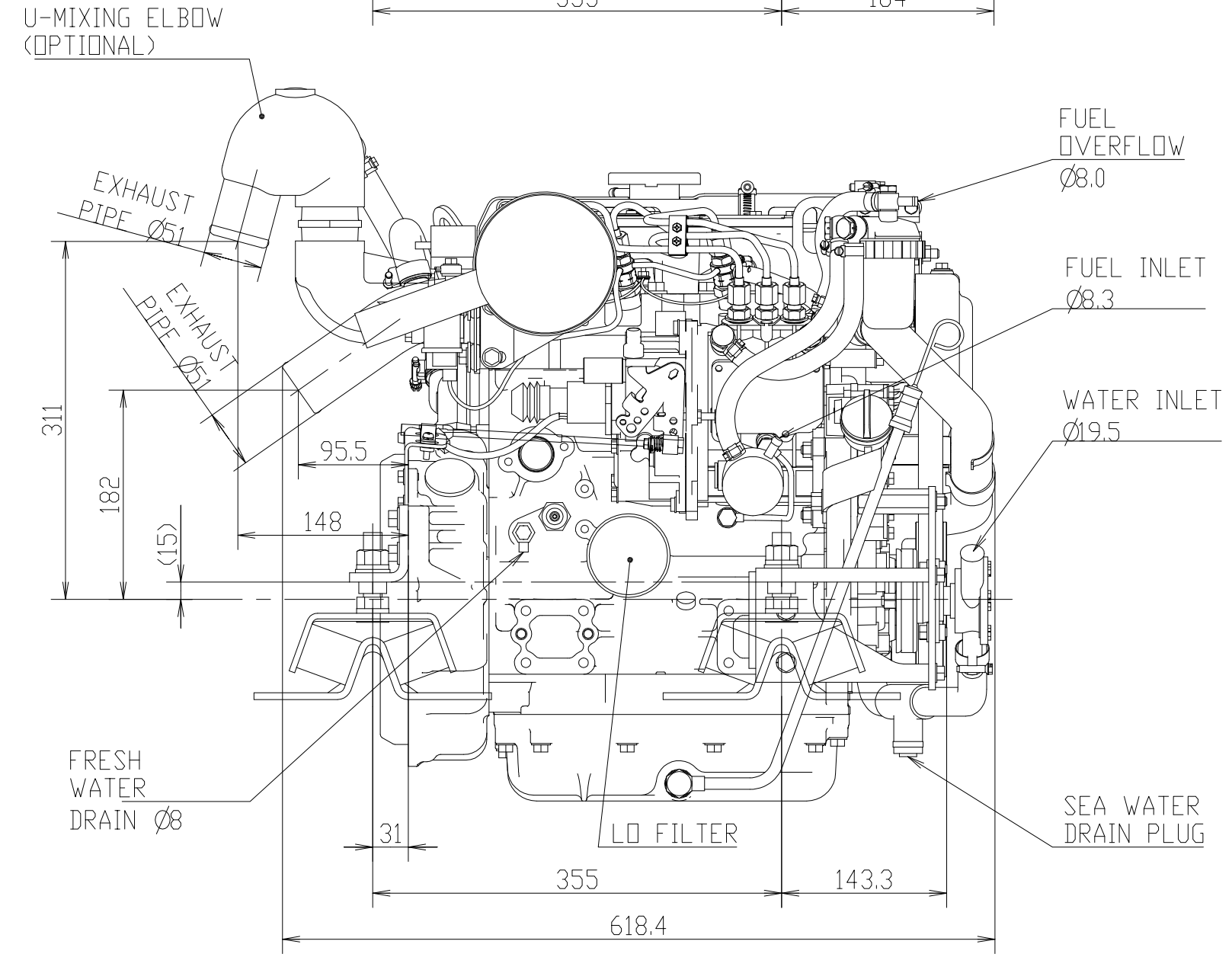
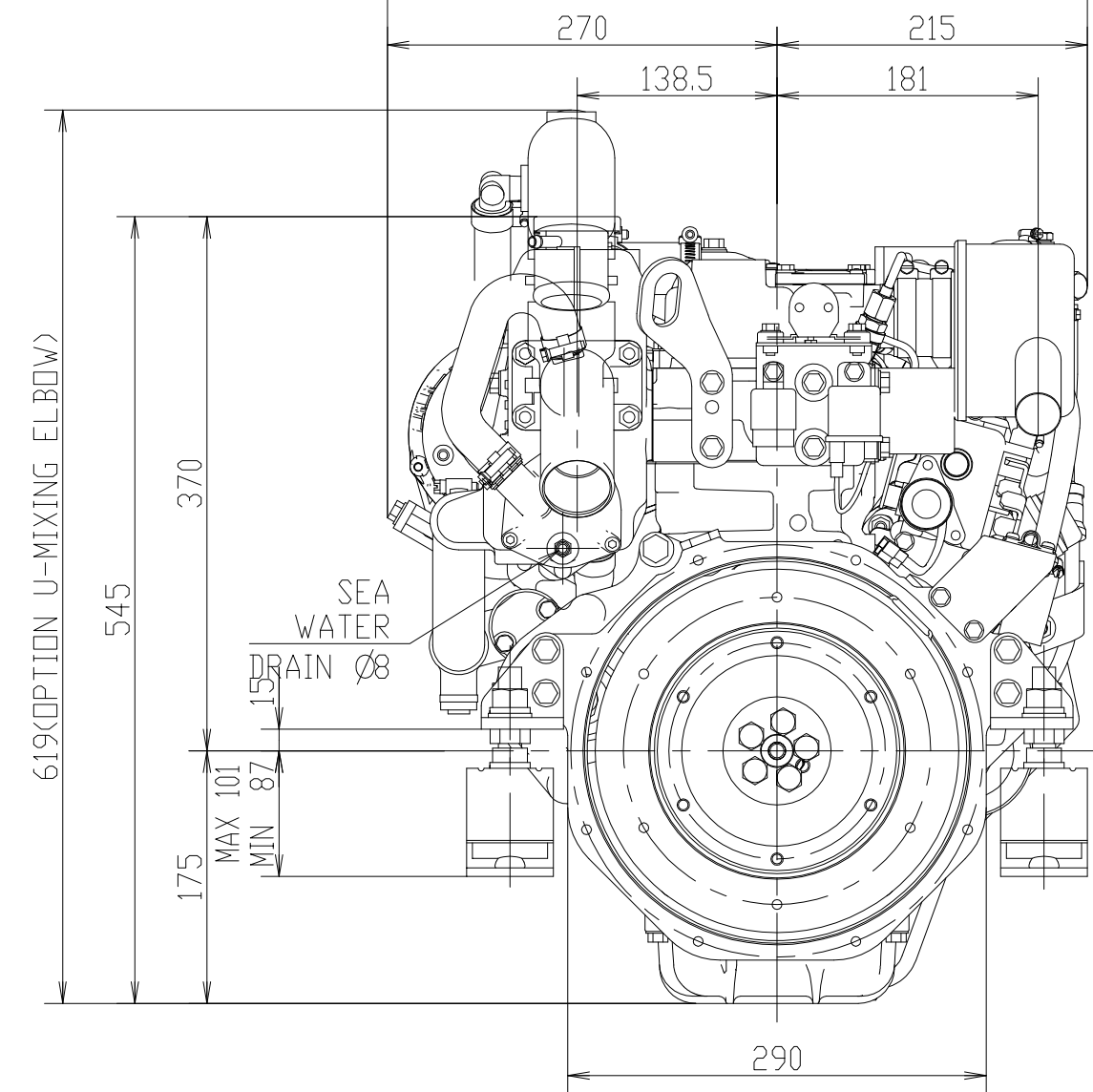
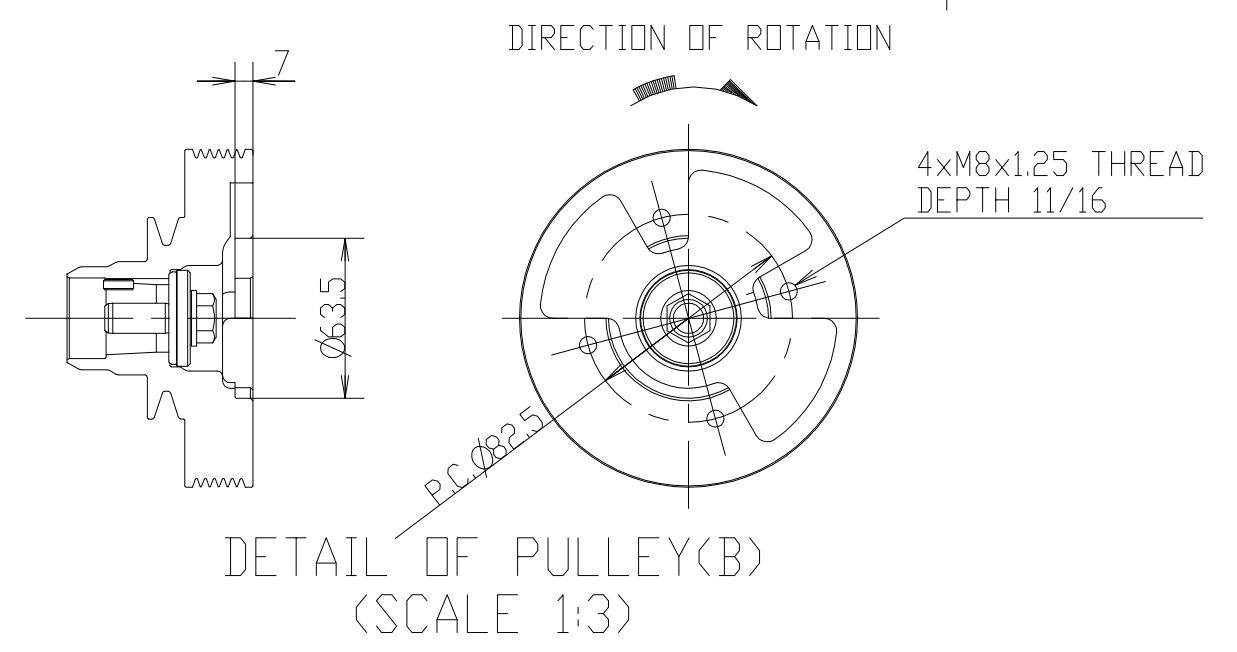
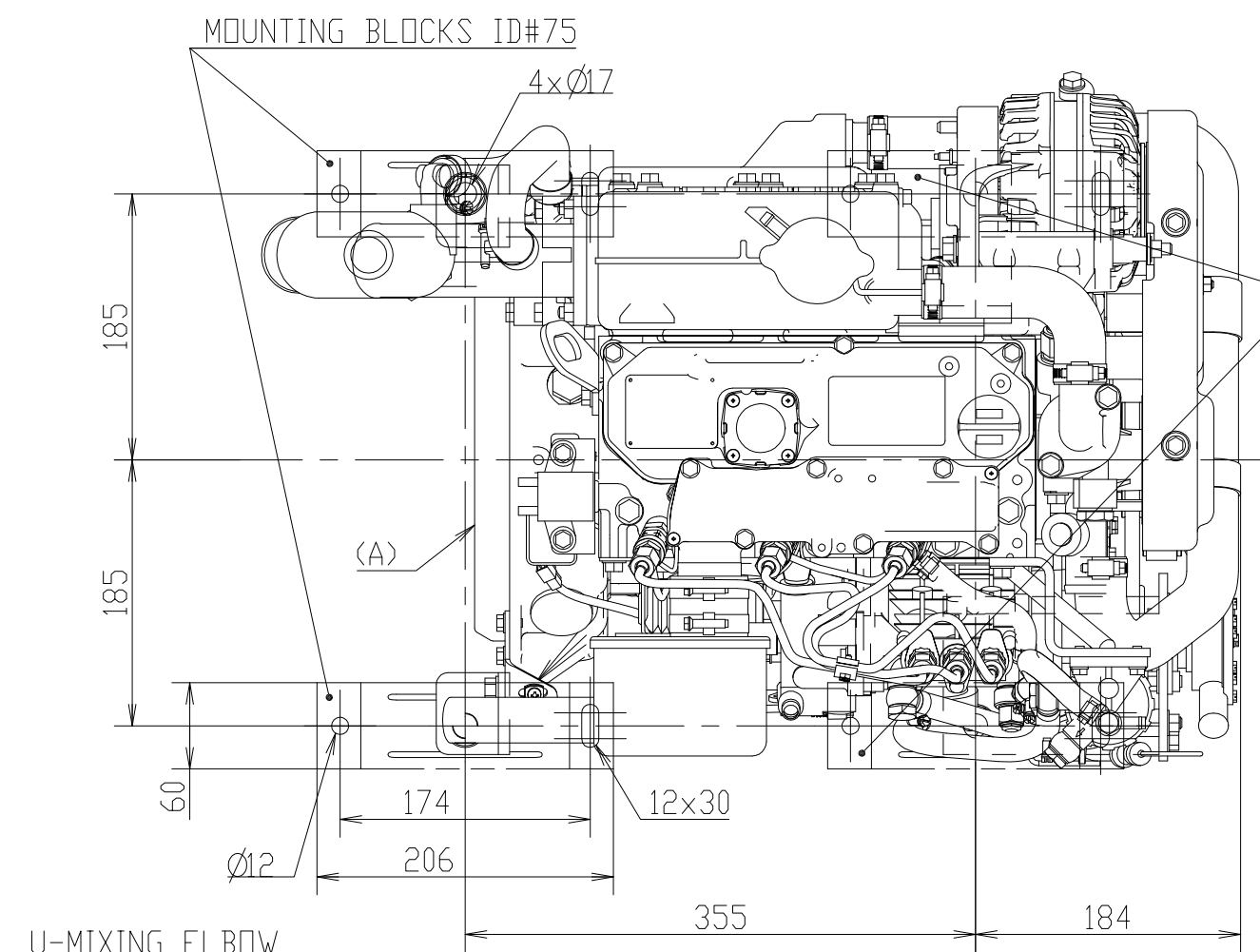
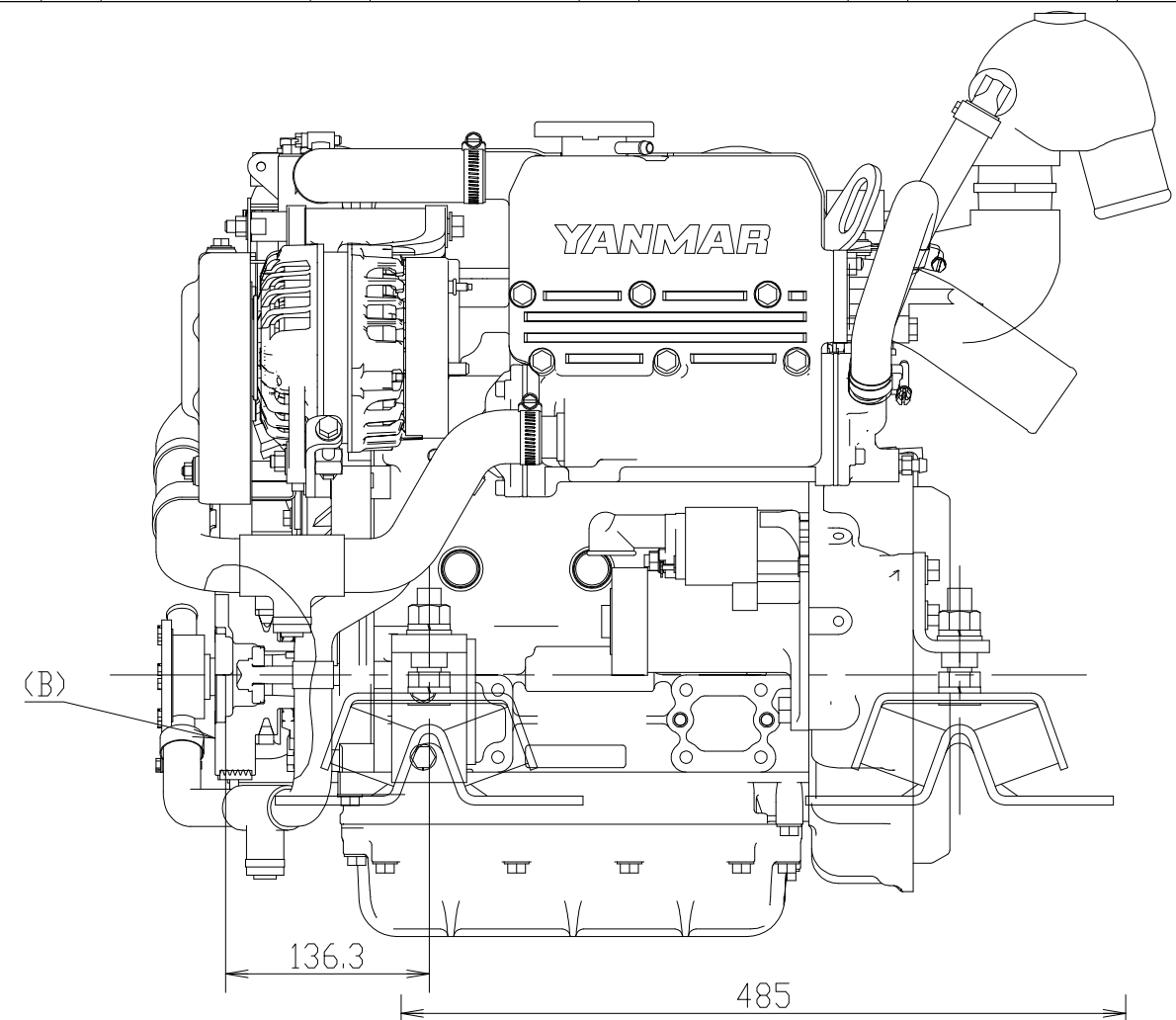


CAREER



- NOTE
- 1.DWG. SHOWS MOUNTING BLOCKS AT ORIGINAL HEIGHT.
 - 2.ENGINE WEIGHT WILL COMPRESS BLOCKS BY 4.5mm(APPROX.).
 - 3.MOUNTING BLOCKS ARE EQUIPPED FOR STANDARD ACCESSARY.
 - 4.Φ SHOWS CENTER OF GRAVITY.

SPECIFICATIONS	
MODEL	3YM30AE
Fuel Stop Power	-1 19.4/3101
Reduction Ratio	21.3/3200 Crankshaft
Engine Mass	kg Approx.123
Direction Of Propeller Shaft Rotation	Clockwise

SEC.MANAGER	CHECKED	SPECIALIST	DESIGNED	DRAW	DATE:Y.M.D	NAME	MODEL	3YM30AE	SCALE	1:5(1:3)
							QTY	-	MATERIAL	
							3YM30AE 3YM30AE 志賀		3YM30AE OUTLINE	
							YANMAR		CODE	B2-28995-0010
							YANMAR CO.,LTD. MARINE OPERATIONS DIV.		DRAW SIZE	A2

With respect to the use of environmentally hazardous substances the parts, the substances in use shall conform to the requirement specified in YIS V-0001J, "Restrictions of use of Environmentally Hazardous Substances".

本部品への環境負荷物質の使用については、YIS V-0001J「環境負荷物質の使用規制」を満足すること。

3D-CAD	NOTICE
GEOMETRICAL TOLERANCE	
KIND OF TOLERANCE	
STRAIGHTNESS TOLERANCE	
SURFACE TOLERANCE	
PERPENDICULARITY TOLERANCE	
PARALLELISM TOLERANCE	
ANGULARITY TOLERANCE	
POSITIONAL TOLERANCE	
SYMMETRY TOLERANCE	
LOCATION TOLERANCE	
ROUNDNESS TOLERANCE	
CHIRALITY TOLERANCE	