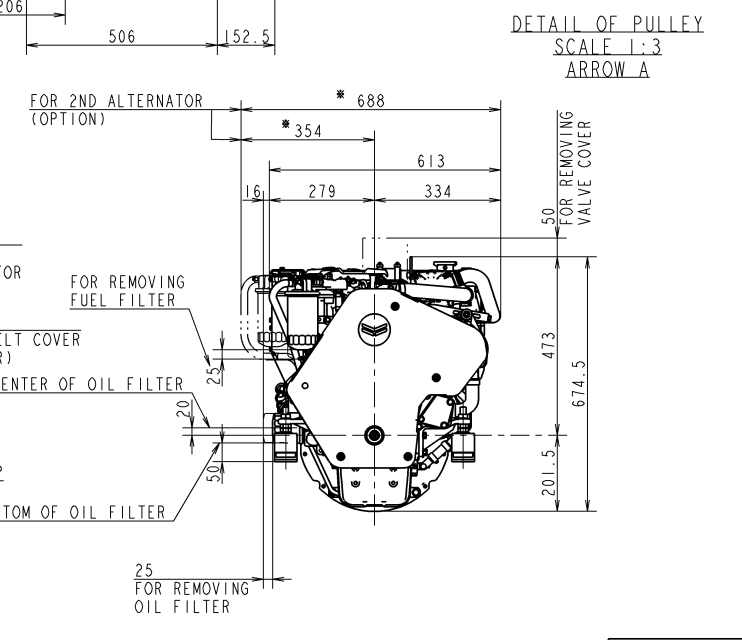
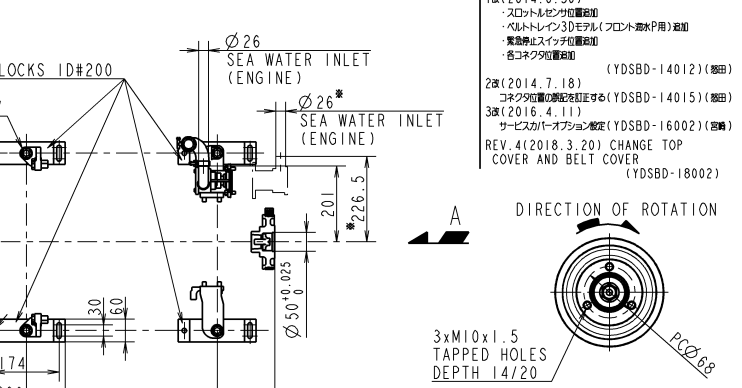
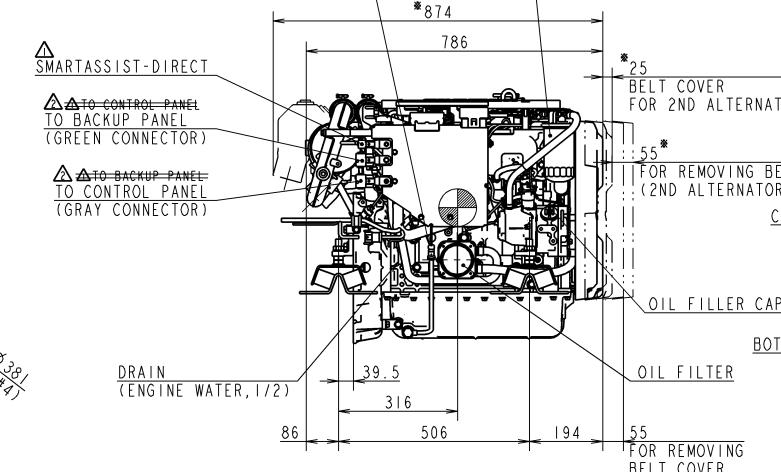
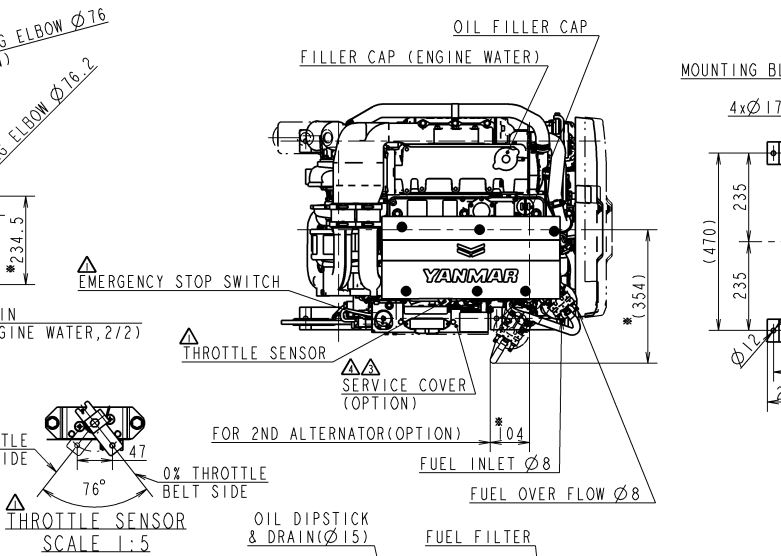
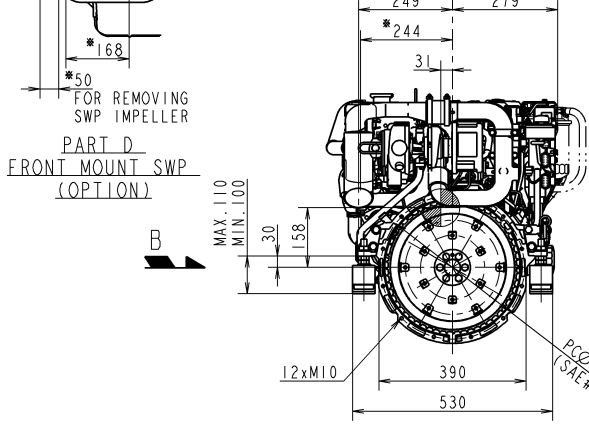
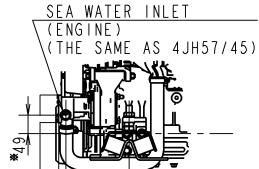
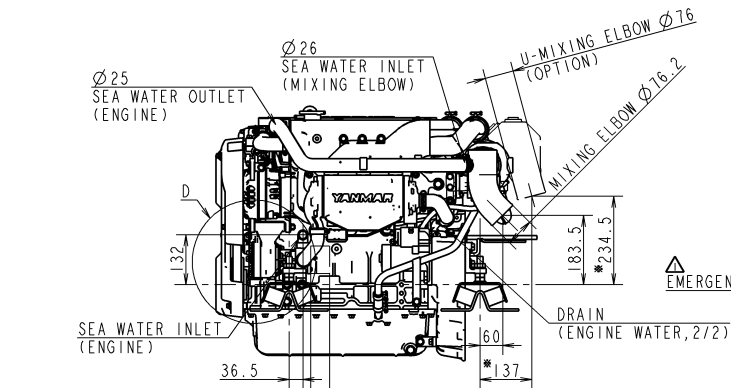


CAREER

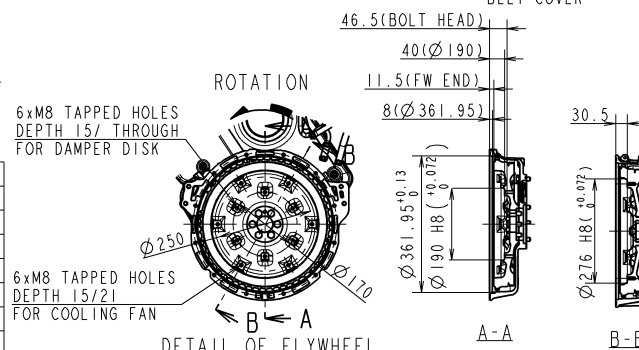
※1形 YDSBD-14004にのみ本図適用。
 1改(2014.6.30)
 ・スロットルセンサ付取付部追加
 ・ペダルレフト3Dモデル(フロント海水用)追加
 ・緊急停止スイッチ付取付部追加
 ・各コネクタ位置追加
 (YDSBD-14012)(他田)
 2改(2014.7.18)
 コネクタ位置の誤記を訂正する (YDSBD-14015)(他田)
 3改(2016.4.11)
 サービスカバーオプション設定 (YDSBD-16002)(他田)
 REV.4(2018.3.20) CHANGE TOP COVER AND BELT COVER (YDSBD-18002)



NOTE

- MOUNTING BLOCKS ARE COMPRESSED ABOUT 4mm BY ENGINE WEIGHT. DIMENSIONS OF MOUNTING BLOCK IN THIS DRAWING ARE WITHOUT ANY DEFORMATION.
- MOUNTING BLOCKS ARE EQUIPPED FOR STANDARD ACCESSORY.
- THE FIGURES MARKED WITH * SHOW THE DIMENSIONS WITH U-MIXING FLOW, OR OPTIONAL PARTS.
- ⊙ SHOWS THE CENTER OF GRAVITY.

SPECIFICATIONS			
Model	4JH110	4JH80	
Continuous Power (ISO 8665)	kW/min ⁻¹ 73.6 / 3101 53.5 / 3101		
Fuel Stop Power	Propeller shaft (ISO 8665)	kW/min ⁻¹ --- ---	
	Crankshaft (ISO 8665)	kW/min ⁻¹ 80.9 / 3200 58.8 / 3200	
Reduction ratio	--- --- --- --- --- ---		
Dry mass	kg Approx. 229		
Direction of Crankshaft rotation	Counter-clockwise		



SEC. MANAGER 山崎		MODEL	4JH110	4JH80	SCALE	1:10
CHECKED 北本	SPECIALIST	QTY	1	1	MATERIAL	
DESIGNED Y. Nuta	DRAWN A. Hori	DATE: Y.M.D	2014.3.17		OUTLINE, 4JH110/80	
YANMAR		CODE	B2-29677-0011		REV. 4	A2