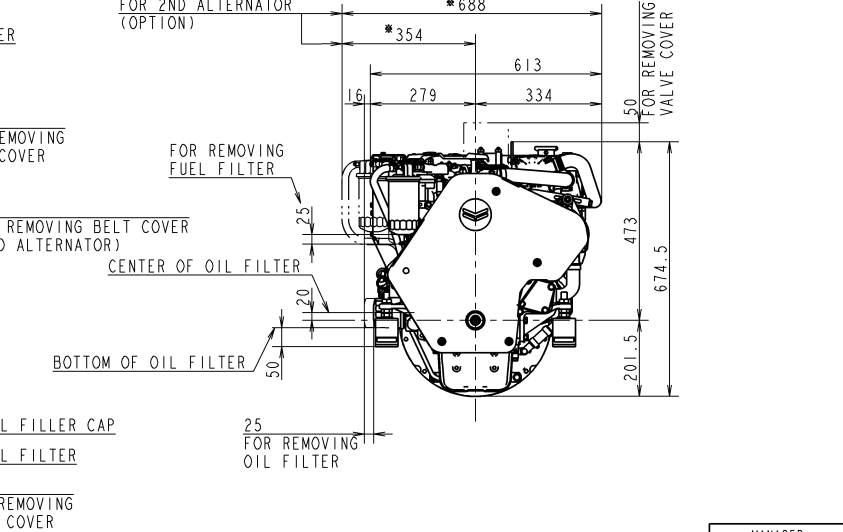
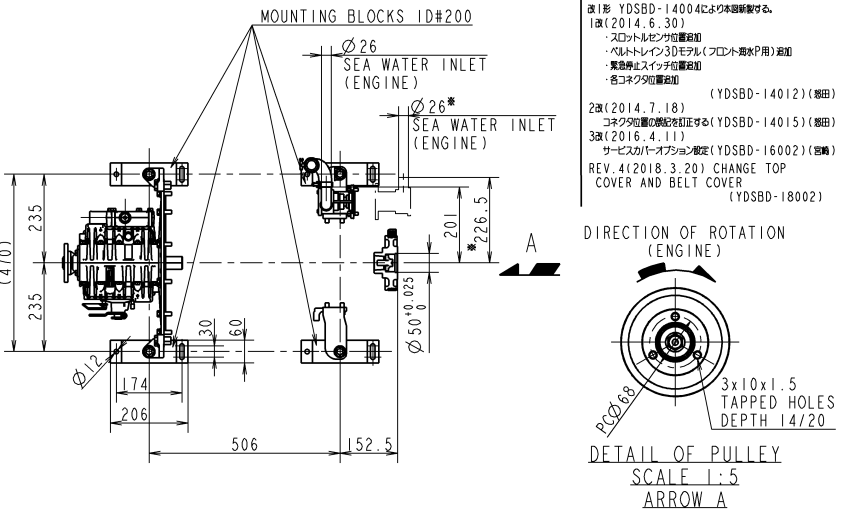
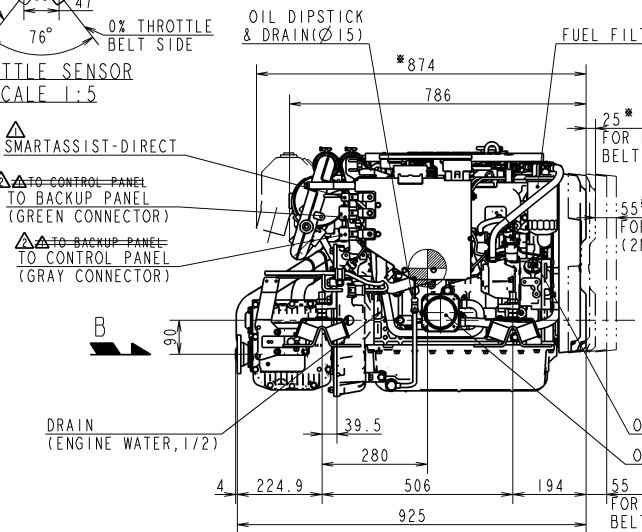
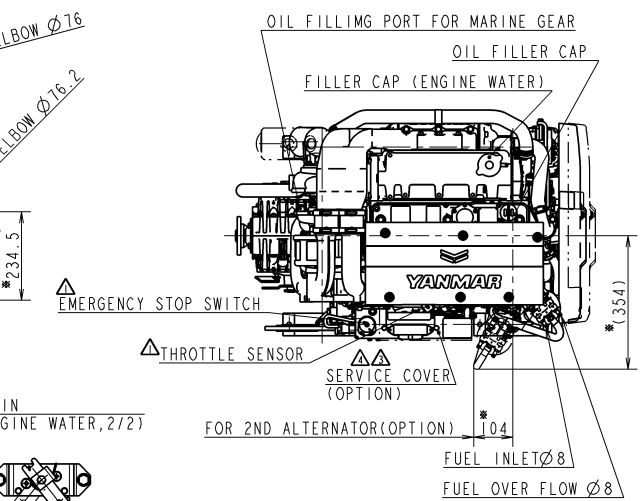
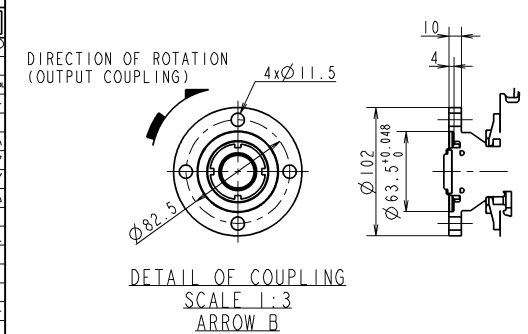
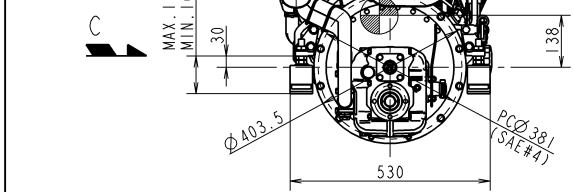
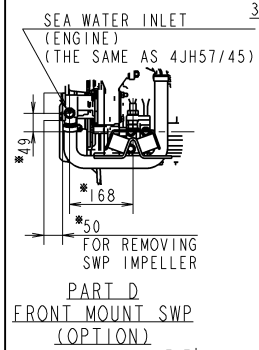
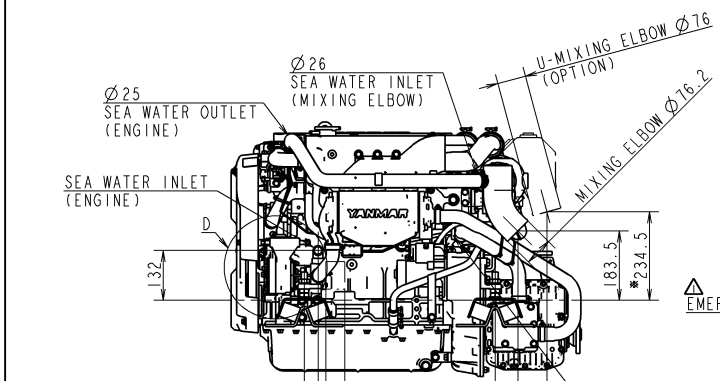


CAREER

改1形 YDSBD-14004に本体更新する。  
 1改(2014.6.30)  
 ・スロットルセンサ位置追加  
 ・ベルトレイン3Dモデル(フロント機水用)追加  
 ・発電機スイング位置追加  
 ・各コネクタ位置追加  
 (YDSBD-14012)(機田)  
 2改(2014.7.18)  
 ・コネクタ位置の誤記を訂正する(YDSBD-14015)(機田)  
 3改(2016.4.11)  
 ・サービスカバーオプション規定(YDSBD-16002)(機田)  
 REV.4(2018.3.20) CHANGE TOP COVER AND BELT COVER (YDSBD-18002)



NOTE  
 1. MOUNTING BLOCKS ARE COMPRESSED ABOUT 4mm BY ENGINE WEIGHT.  
 2. DIMENSIONS OF MOUNTING BLOCK IN THIS DRAWING ARE WITHOUT ANY DEFORMATION.  
 3. THE FIGURES MARKED WITH \* SHOW THE DIMENSIONS WITH U-MIXING ELBOW OR OPTIONAL PARTS.  
 4. ● SHOWS THE CENTER OF GRAVITY.

SPECIFICATIONS		
Model	4JH110	4JH80
Continuous Power (ISO 8665)	kW/min <sup>-1</sup>	73.6 / 3101
Fuel Stop Power	Propeller shaft (ISO 8665) kW/min <sup>-1</sup>	---
	Crankshaft (ISO 8665) kW/min <sup>-1</sup>	80.9 / 3200
Reduction ratio		2.15 [2.70] --- 2.15 [2.70] ---
Dry mass	kg	Approx. 254
Direction of Rotation at Output Coupling (Forward)		Clockwise

SEC. MANAGER 北本	CHECKED 北本	DESIGNED Y. Nuta	DRAWN A. Hori	DATE: Y.M.D 2014.3.17	MODEL 4JH110 4JH80	QTY -	SCALE 1:10	MATERIAL OUTLINE, 4JH110-ZF30M
<p><b>YANMAR</b></p> <p>YANMAR CO., LTD. DEVELOPMENT DIV.</p>								<p>CODE B2-29677-0051</p> <p>REV. 1改 2改 3改 (REV. 4)</p> <p>DRAWN STYLE A2</p>