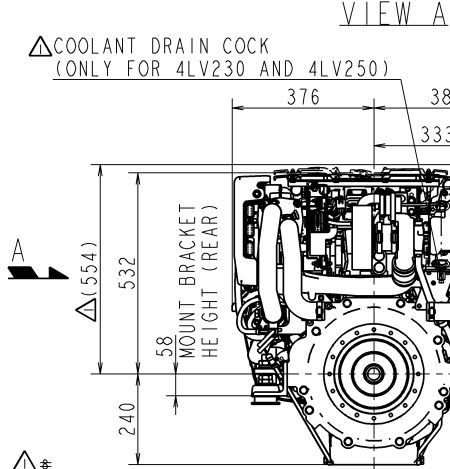
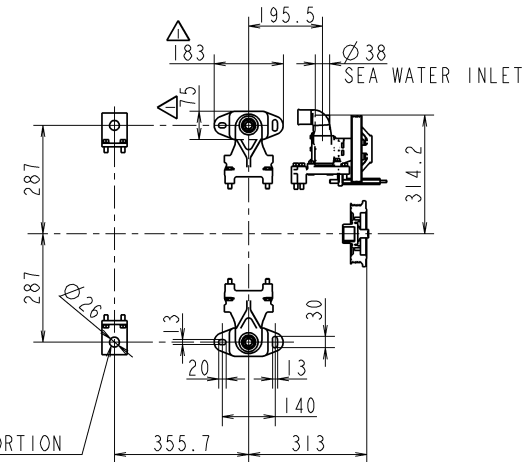
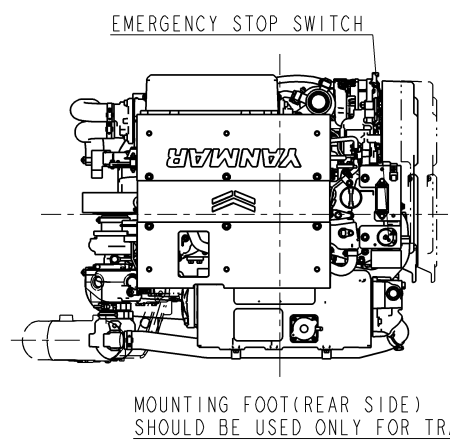
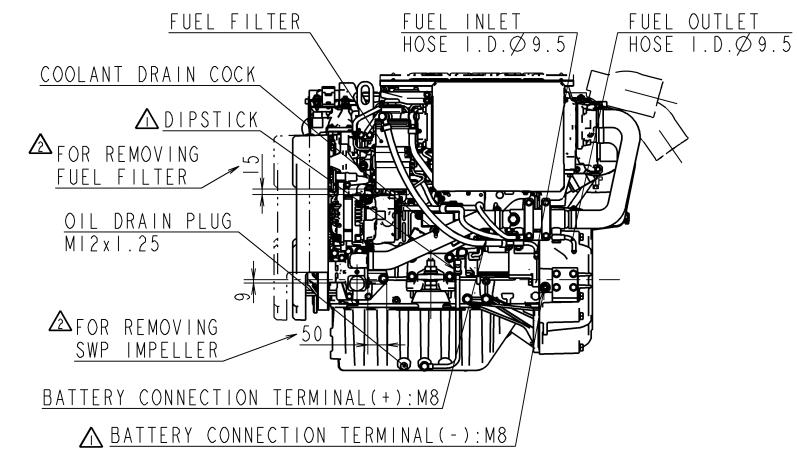


CAREER

RELEASE OF DRAWING FOR MASS PRODUCTION (YDSBD-17005)  
 REV1(2017.12.5) (YDSBD-17006)(ISHII)  
 REV2(2018.5.11) (YDSBD-18003)(T.NAKAMURA)  
 REV3(2018.11.7) (YDSBD-18013)(S.ASA)  
 REV4(2019.4.8) (YDSBD-19009)(BABA)



MIXING ELBOW RISER(OPTION)  
 ALLOWABLE INSTALLATION ANGLE IS BETWEEN 15° TO 55°

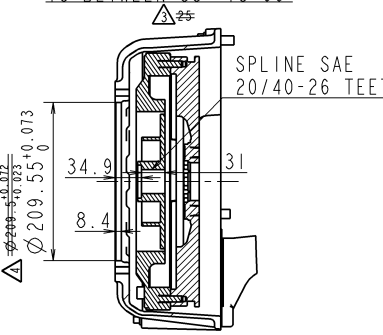
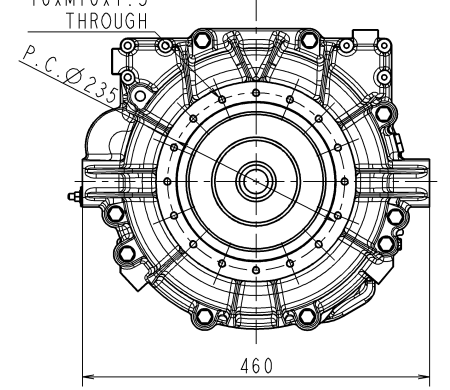
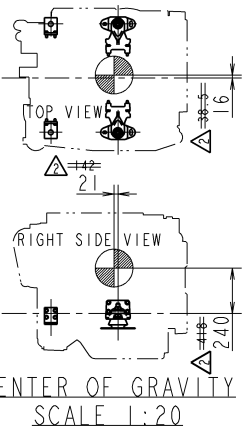
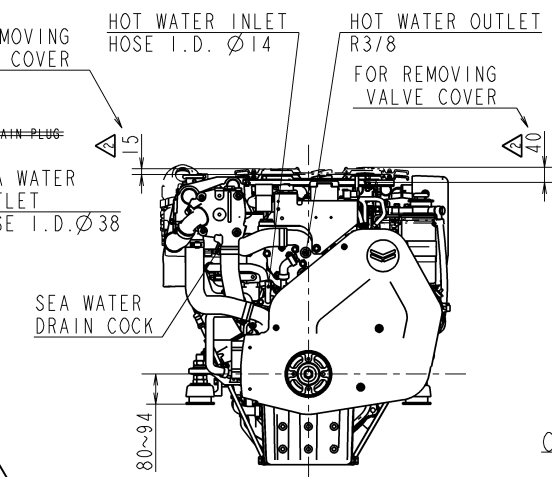
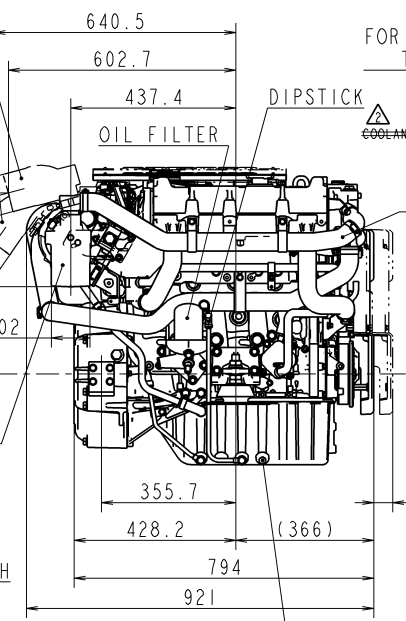
FOR REMOVING LUBE. OIL FILTER

FOR REMOVING TOP COVER

FOR REMOVING VALVE COVER

MIXING ELBOW(STANDARD)  
 ALLOWABLE INSTALLATION ANGLE IS BETWEEN 35° TO 90°

DIRECTION OF ROTATION



SPECIFICATIONS					
MODEL	△ 4LV150(C)	△ 4LV170(C)	△ 4LV195(C)	△ 4LV230(C)	△ 4LV250
Continuous Power (ISO8665)kW/min <sup>-1</sup>	100 / 3392	114 / 3392	130 / 3392	154 / 3683	168 / 3683
Fuel Stop Power Crankshaft (ISO8665)kW/min <sup>-1</sup>	110 / 3500	125 / 3500	143 / 3500	169 / 3800	184 / 3800
Engine Mass kg	Approx.334				
Direction Of Propeller Shaft Rotation	Counter-clockwise				

AT FREE HEIGHT OF ISOLATION MOUNT (ENGINE WEIGHT WILL COMPRESS THE MOUNT APPROX 3.5mm)

量産用 FOR MASS PRODUCTION

MANAGER 山口

SEC. MANAGER 石井	MODEL 4LV150 4LV170 4LV195 4LV230 4LV250	SCALE 1:10
CHECKED 石井	SPECIALIST	MATERIAL -
DESIGNED 石井	DATE: Y.M.D 2017.10.24	NAME 4LV ENGINE OUTLINE
YANMAR		REV1 REV2 REV3 REV4
YANMAR CO.,LTD. DEVELOPMENT DIV.		CODE B2-20672-0010

3D-CAD NOTICE GEOMETRICAL TOLERANCE KIND OF TOLERANCE SYMBOL