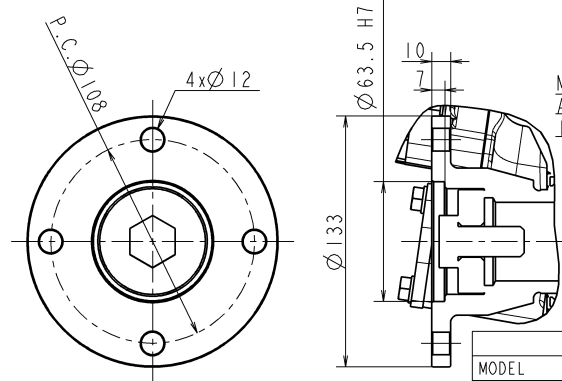
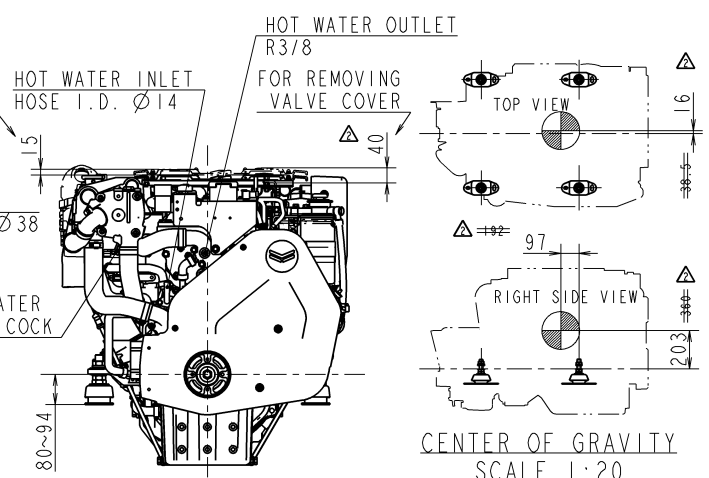
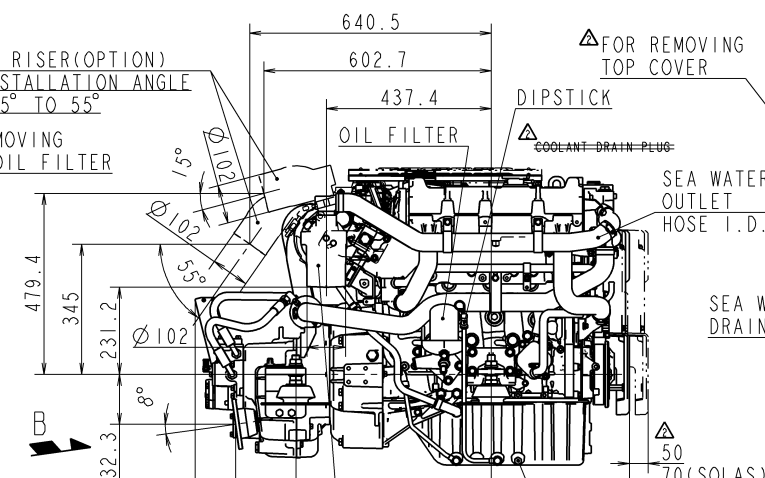
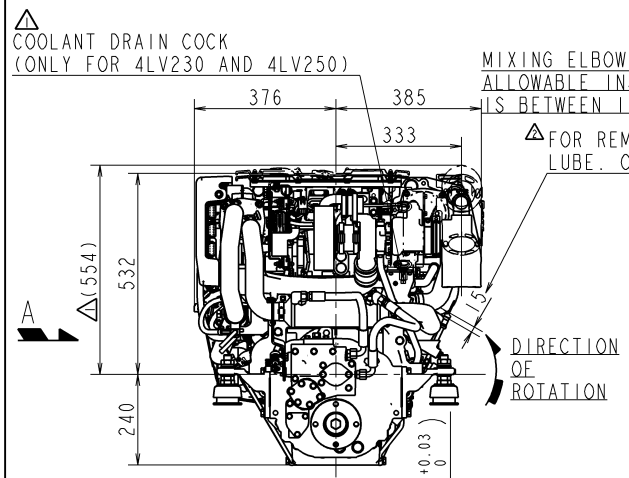


CAREER
 RELEASE OF DRAWING FOR MASS PRODUCTION.
 (YDSBD-17005)
 REV1(2017.12.5) (YDSBD-17006)(ISHII)
 REV2(2018.5.11) (YDSBD-18003)(T.NAKAMURA)



SPECIFICATIONS					
MODEL	4LV150	4LV170	4LV195	△4LV230	△4LV250
Continuous Power (ISO8665)kW/min ⁻¹	100 / 3392	114 / 3392	130 / 3392	154 / 3683	168 / 3683
Fuel Stop Power Crankshaft (ISO8665)kW/min ⁻¹	-1	110 / 3500	125 / 3500	143 / 3500	169 / 3800
Engine Mass kg	Approx.388				
Direction Of Propeller Shaft Rotation	Counter-clockwise				

AT FREE HEIGHT OF ISOLATION MOUNT (ENGINE WEIGHT WILL COMPRESS THE MOUNT APPROX 3.5mm)
 FOR REMOVING BELT COVER

量産用
 FOR MASS PRODUCTION

MANAGER
 山口

SEC. MANAGER 石井	MODEL	4LV150	4LV170	4LV195	4LV230	4LV250	SCALE	1:10
CHECKED 阿佐	SPECIALIST	QTY	-	-	-	-	MATERIAL	-
DESIGNED 石井	DRAWN 堀	DATE:Y.M.D	2017.10.24				NAME 4LV X KMH50A OUTLINE	
YANMAR YANMAR CO.,LTD. DEVELOPMENT DIV.							REVIREV2	CODE B2-20672-0020