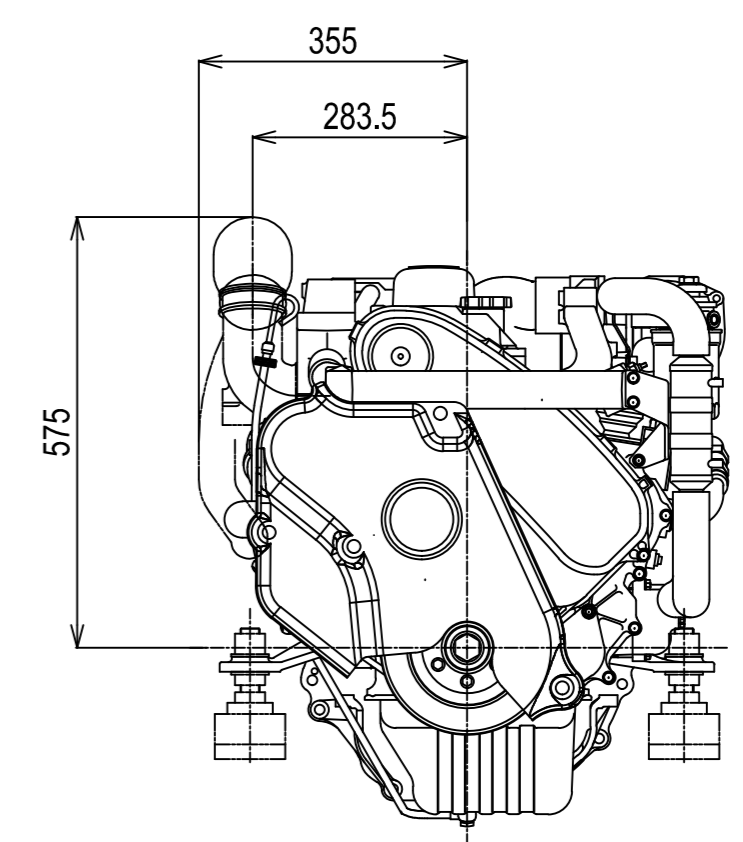
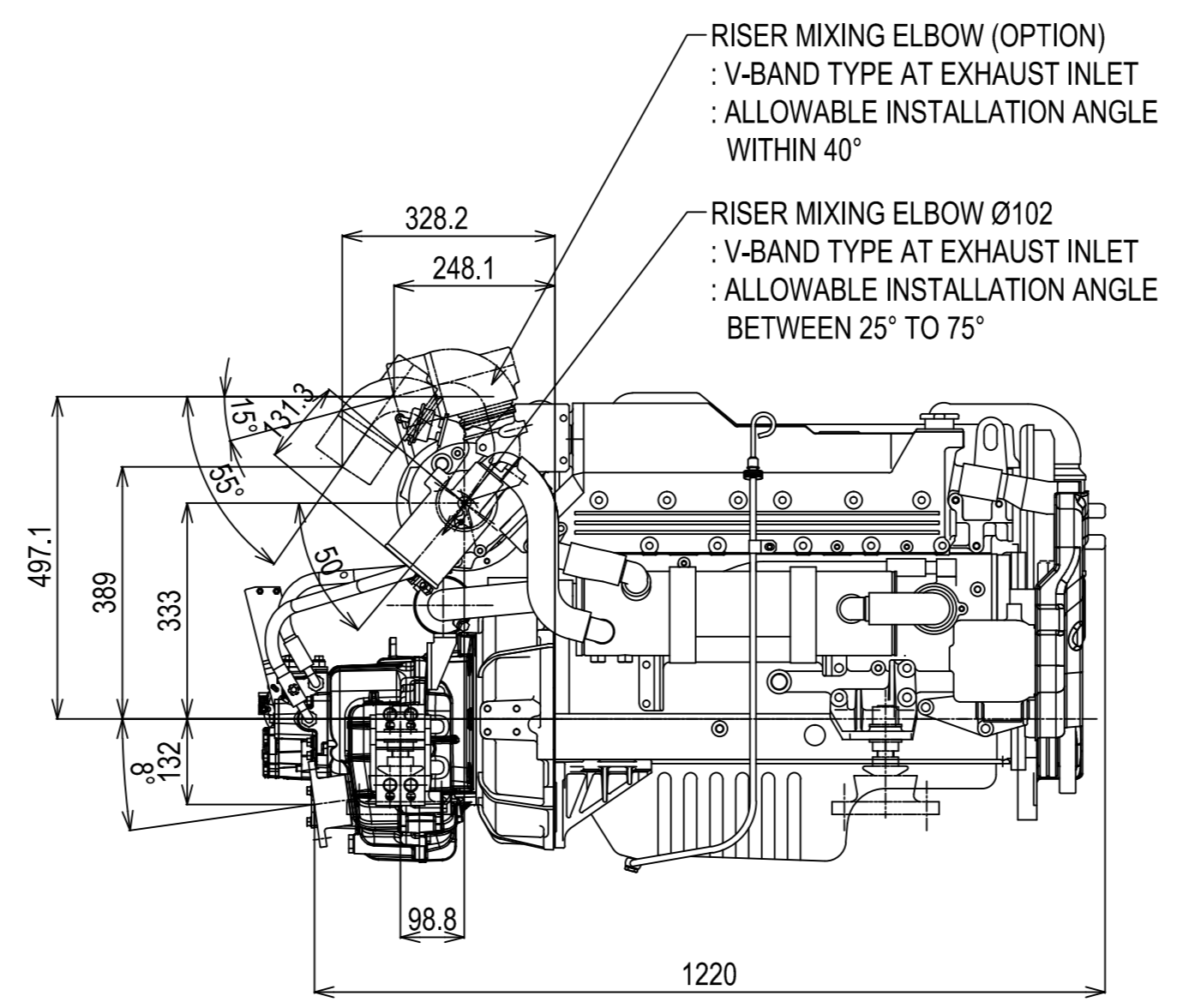
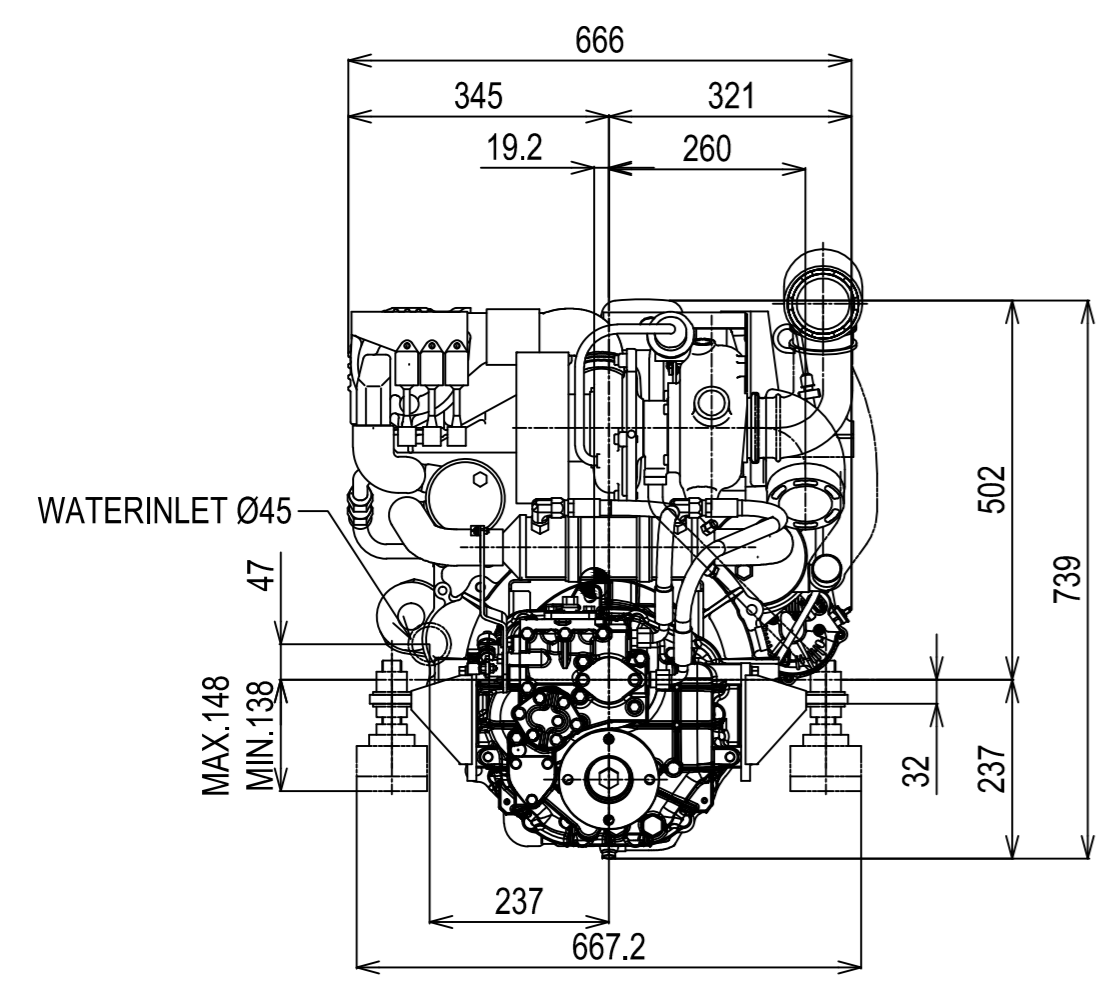
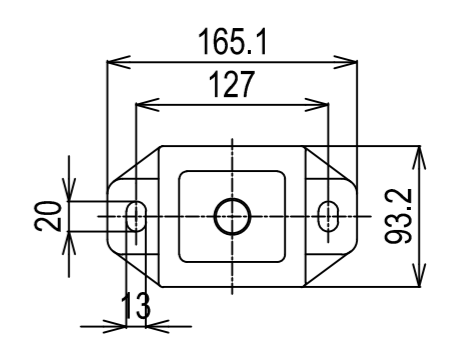
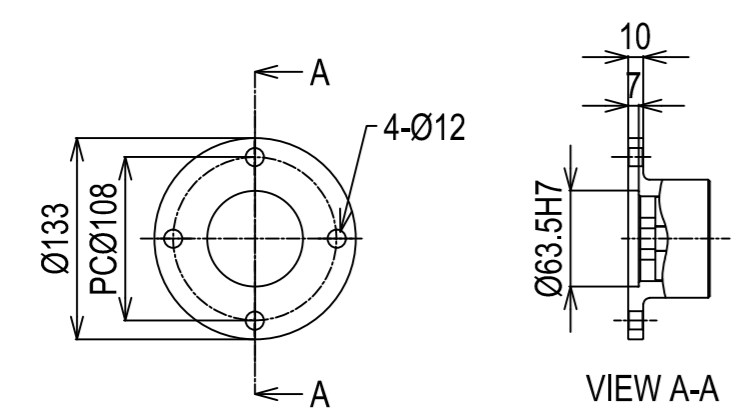


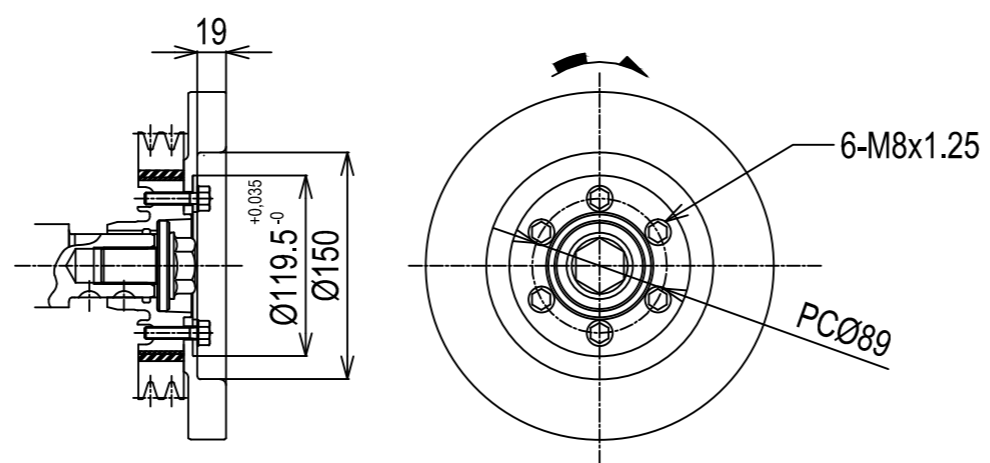
**DETAIL OF MOUNTING BLOCK**



**DETAIL OF COUPLING**



**DIRECTION OF ROTATION**



DETAIL OF PULLEY VIEWED FROM A

**NOTE:**

1. DWG. SHOWS MOUNTING BLOCKS AT ORIGINAL HEIGHT. ENGINE WEIGHT WILL COMPRESS BLOCKS BY 4MM (APPROX).
2. MOUNTING BLOCKS ARE EQUIPPED FOR STANDARD ACCESSORY.
3. ● SHOWS THE CENTER OF GRAVITY.
4. FOR ADDITIONAL INSTALLATION INFORMATION AND SPECIFICATIONS PLEASE REFER TO THE YANMAR ENGINE INSTALLATION MANUAL

Engine:	6LPA-STP2_KMH50A	Release:	14-03-2007
Scale:	1:10	Date:	01-04-2013
		Dimensions:	mm